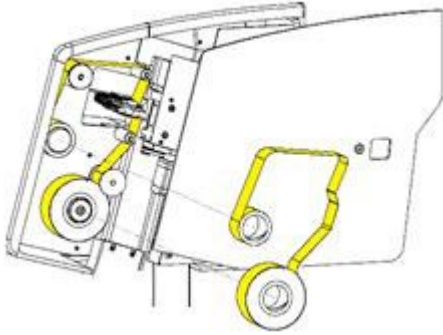
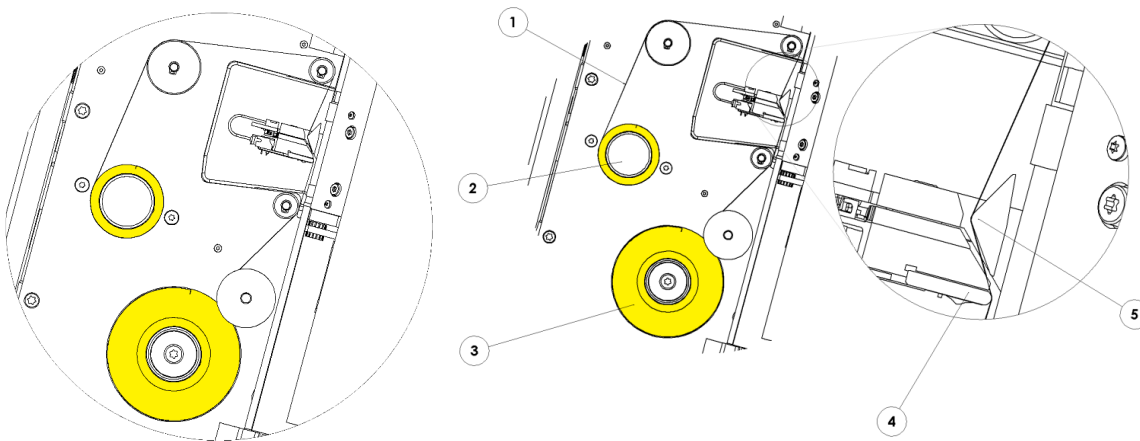


PiSmart Ribbon Installation Instructions

- Slide open the side door to access the spools inside the instrument.



- Fit the Supply Spool onto the instrument using the clear lead attached on the roll. The red edge of the spool should be visible.
- Feed the ribbon through the instrument ensuring that the ribbon is fitted in the correct position over every spool. Fix the ribbon to the collection spool using tape.
 - Note: When you fit the ribbon, do not forget to fit the ribbon over the Ribbon Guide Pin near the print head. Remove the clear leader from the roll prior to affixing the ribbon to the spool. Set the leader aside for reloading ribbon mid-roll if necessary.*



1	Ribbon Matt Side
2	Collection Spool
3	Supply Spool
4	Print Head
5	Ribbon Guide Pin



DO NOT INSERT OBJECT SUCH AS PENS OR SCREWDRIVERS INTO THE PRINT HEAD AREA WHEN REMOVING JAMS OR FITTING A NEW RIBBON

Watch the installation video online at statlab.com/pismart

On your team.

2090 Commerce Drive, McKinney, TX 75069 | 1-800-442-3573 | StatLab.com